

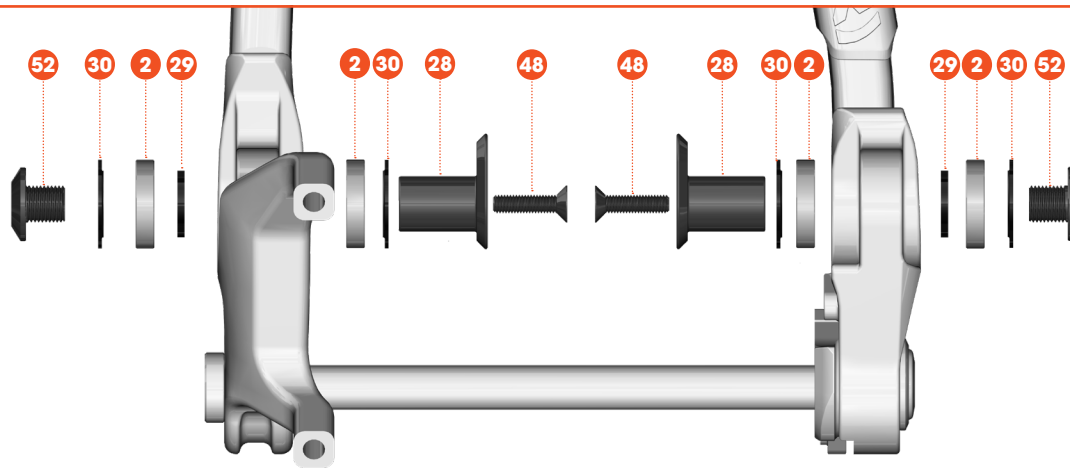
	DESCRIPTION	PART NUMBER	QTY	ASSEMBLY
1	WASHER 5.2ID 12.5OD 1.5L	CMPPHW00267	1	
2	BEARING 6802 LLU Max	CMPWFB6802LLUMAX	4	
3	BEARING 6901 LLU Max	CMPWFB6901LLUMAX	4	
4	BEARING 6902 LLU Max	CMPWFB6902LLUMAX	2	
7	CABLE ROUTING CLAMP 1 cable	CMPWCG13H	1	
21	FRAME PROTECTION Seatstay	CMPWFP43	1	
22	FRAME PROTECTION Chainstay	CMPWFP42	1	
24	Bolt M12x20.5L thru hole	CMPBTHH24PH01	1	12Nm
25	Bolt M12x20.5LxM5 internal	CMPBTHH24PH02	1	12Nm
26	PIVOT HARDWARE Axle M12x79L	CMPBTHH24PH04	1	12Nm
27	PIVOT HARDWARE Teardrop Nut M12x8L	CMPBTHH24PH05	1	
28	PIVOT HARDWARE Teardrop Nut M10x24L	CMPBTHH24PH06	2	
29	PIVOT HARDWARE Spacer 180Dx15IDx2.0T	CMPBTHH24PH07	2	
30	PIVOT HARDWARE Spacer 240Dx18IDx1.5T	CMPBTHH24PH08	4	
31	Bearing Spacer 160Dx12IDx41L	CMPBTHH24PH09	1	

	DESCRIPTION	PART NUMBER	QTY	ASSEMBLY
32	Washer 170Dx12IDx3.5T	CMPBTHH24PH10	2	
33	PIVOT HARDWARE Axle 150Dx76L	CMPBTHH24PH11	1	
34	Bearing Spacer 210Dx15IDx39L	CMPBTHH24PH12	1	
45	AXLE 12-180-P1.0-13	CMPAXR12B	1	9-13.5 Nm
46	SCREW M5x0.8mm	NA	11	3 Nm
48	SCREW M5x0.8x16L flathead	CMPBTG2PR03S	2	3 Nm
50	SCREW M5x0.8x35L flathead	CMPBTG2PR01	3	3 Nm
51	PIVOT HARDWARE Male M10x1.0x20L	CMPBTG2PR18B	1	12 Nm
52	PIVOT HARDWARE Male M10x1.0x14.5L	CMPBTG2PR16AX	2	8 Nm
53	PIVOT HARDWARE Male M5x0.8x25.5L	CMPBTM255	2	6 Nm
54	PIVOT HARDWARE Female M5x0.8x39.5L	CMPBTF395	2	6 Nm
55	SEAT CLAMP Kona Deluxe 34.9 SC35	CMPSCCL349	1	5-6 Nm
56	HANGER Rear UDH	CMPHUDH01	1	
58	WASHER 5.2ID 12.5OD 1.5L	CMPPHW00267	11	
61	CABLE GUIDE P-Clip Plastic (Single)	CMPWCG071	2	

ASSEMBLE WITH GREASE

ASSEMBLE WITH PRE APPLIED THREADLOCK

ADHESIVE BACKED

DETAIL 1

Bearing Kit
CMPBK27

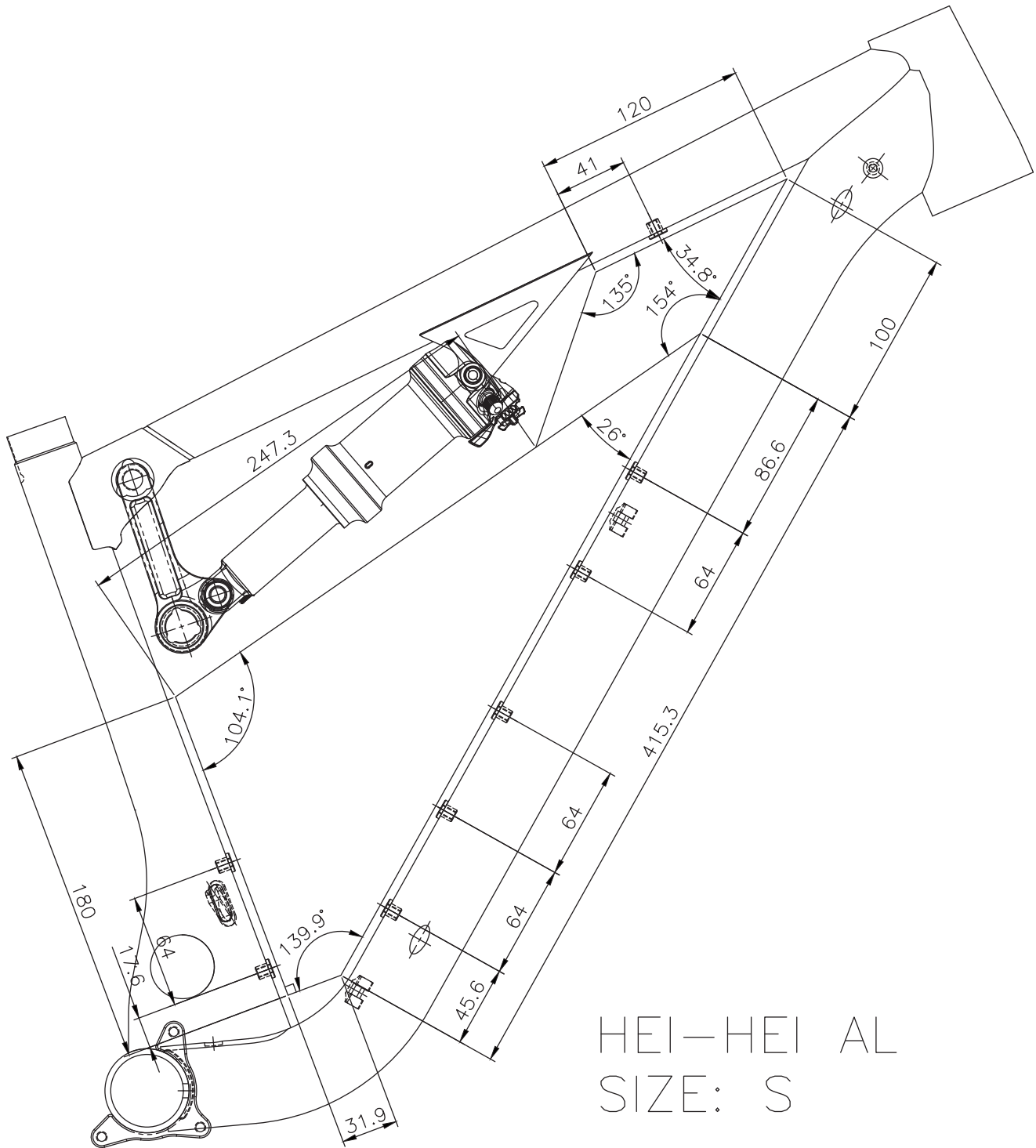
DESCRIPTION	PART NUMBER	QTY	ASSEMBLY
2 BEARING 6802 LLU Max	CMPWFB6802LLUMAX	4	
3 BEARING 6901 LLU Max	CMPWFB6901LLUMAX	4	
4 BEARING 6902 LLU Max	CMPWFB6902LLUMAX	2	

Pivot Hardware Kit
CMPBK28

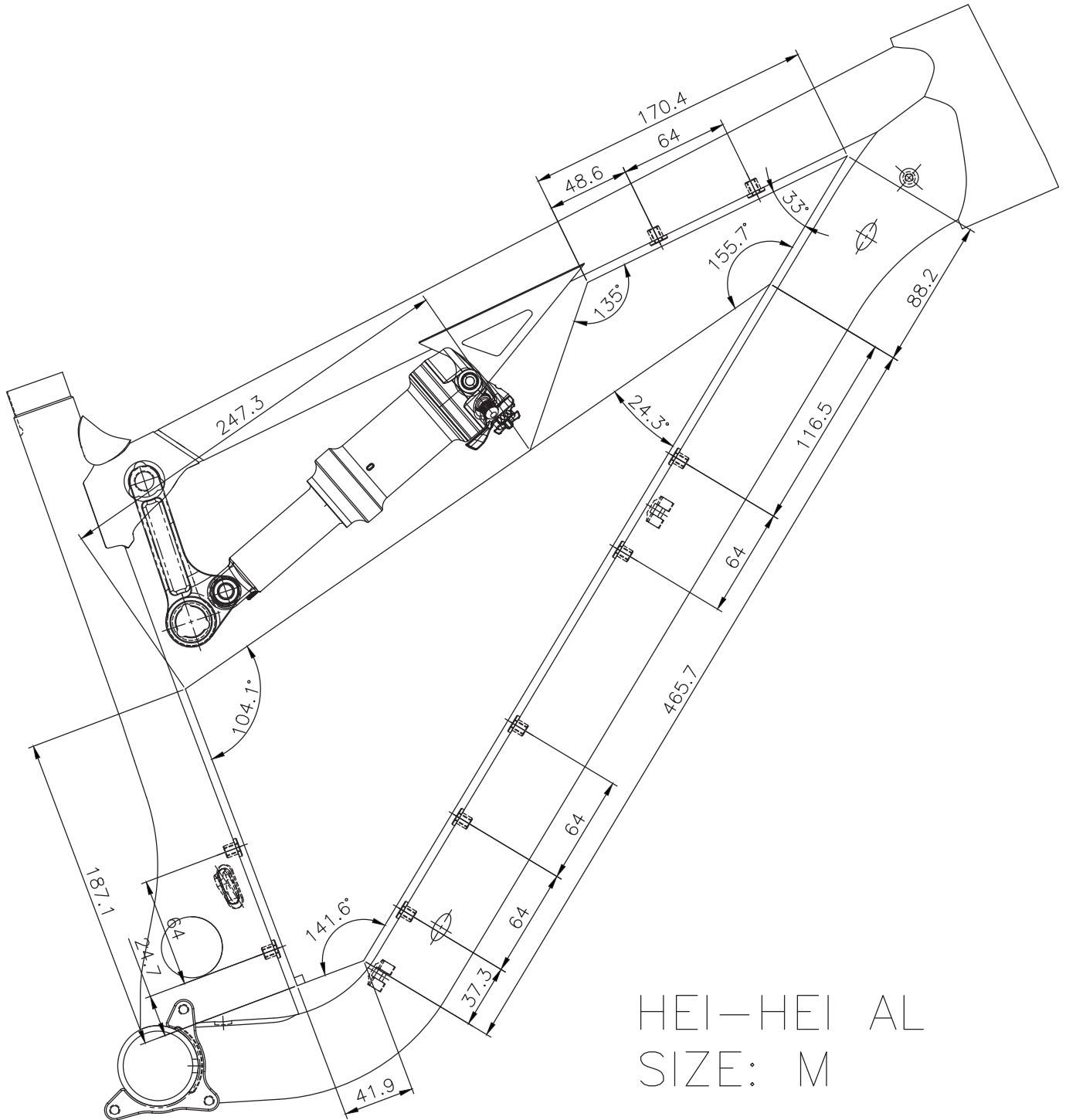
DESCRIPTION	PART NUMBER	QTY	ASSEMBLY
1 WASHER 5.2ID 12.5OD 1.5L	CMPPHW00267	1	
7 CABLE ROUTING CLAMP 1 cable	CMPWCG13H	1	
24 Bolt M12x20.5L thru hole	CMPBTHH24PH01	1	12 Nm
25 Bolt M12x20.5LxM5 internal	CMPBTHH24PH02	1	12 Nm
26 Axle M12x79L	CMPBTHH24PH04	1	12 Nm
27 Teardrop Nut M12x8L	CMPBTHH24PH05	1	
28 Teardrop Nut M10x24L	CMPBTHH24PH06	2	
29 Spacer 180Dx15IDx2.0T	CMPBTHH24PH07	2	
30 Spacer 240Dx18IDx1.5T	CMPBTHH24PH08	4	
31 Bearing Spacer 160Dx12IDx41L	CMPBTHH24PH09	1	
32 Washer 170Dx12IDx3.5T	CMPBTHH24PH10	2	
33 Axle 150Dx76L	CMPBTHH24PH11	1	
34 Bearing Spacer 210Dx15IDx39L	CMPBTHH24PH12	1	
48 SCREW M5x0.8x16L flathead	CMPBTG2PR03S	2	3Nm
50 SCREW M5x0.8x35L flathead	CMPBTG2PR01	3	3Nm
51 Male M10x1.0x20L	CMPBTG2PR18B	1	12Nm
52 Male M10x1.0x14.5L	CMPBTG2PR16AX	2	8Nm
53 Male M5x0.8x25.5L	CMPBTM255	2	6Nm
54 Female M5x0.8x39.5L	CMPBTF395	2	6Nm

Frequently Asked Questions

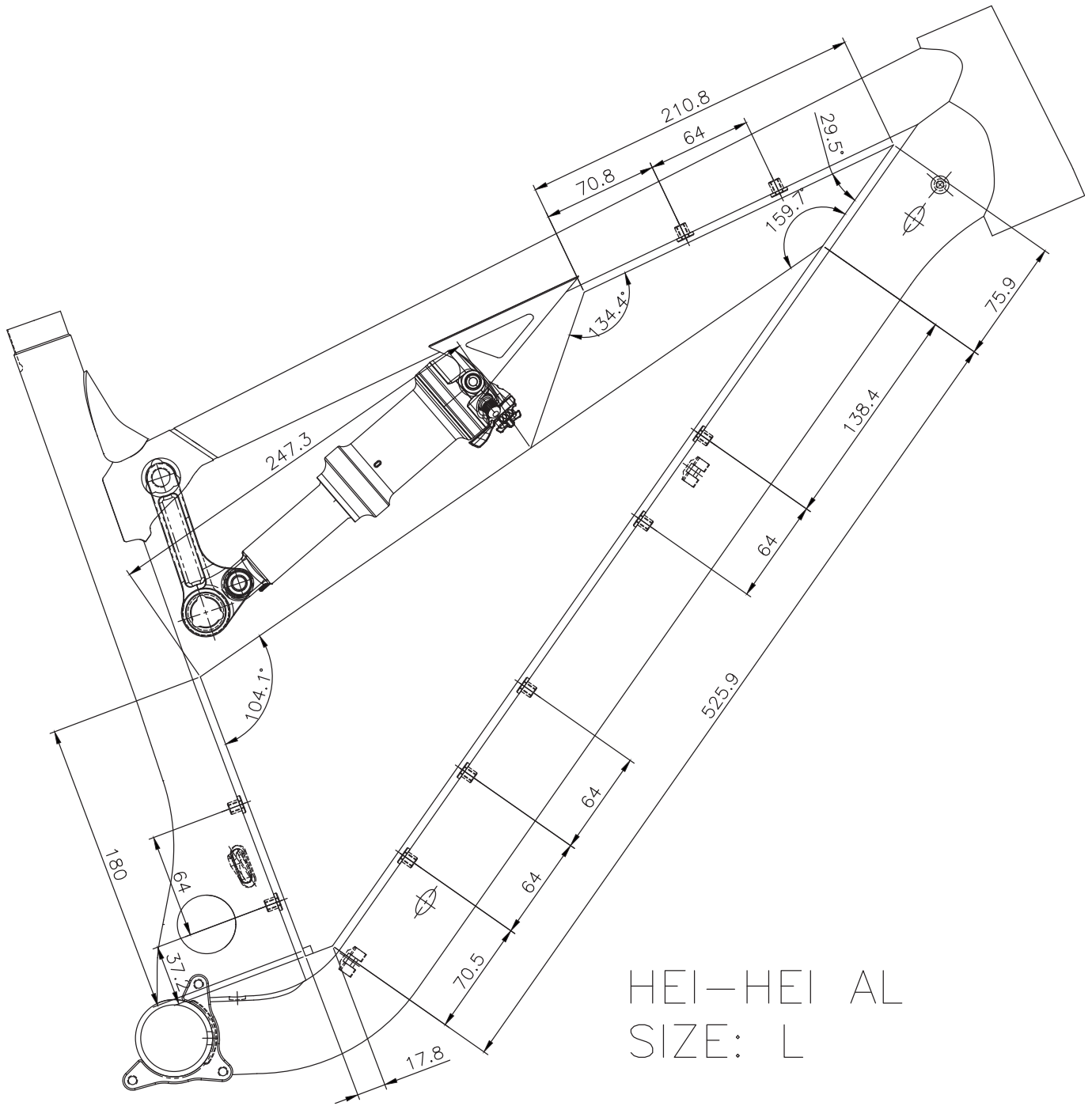
BB FRAME INTERFACE	PF92
EYE TO EYE X STROKE	190 x 45mm
REAR SHOCK- LOWER HARDWARE	20 x 8mm
HEADTUBE ID - UPPER	44mm
HEADTUBE ID - LOWER	56mm
HANGER	UDH/T-Type
SEATPOST DIAMETER	31.6mm
SEATCLAMP INSIDE DIAMETER	34.9mm
FORK STEERER	Tapered 1.5" / 28.6-38.1mm
MAX CHAINRING SIZE - 1X	36t
CHAINLINE - 1X	55mm
MAX SEATPOST INSERTION	SM 245mm / MD 275mm / LG 300mm / XL 330mm
BRAKE ROTOR NATIVE DIAMETER	180mm
ISCG MOUNT	ISCG 05
REAR AXLE	12 x 148 / 12-180-P1.0-13TL



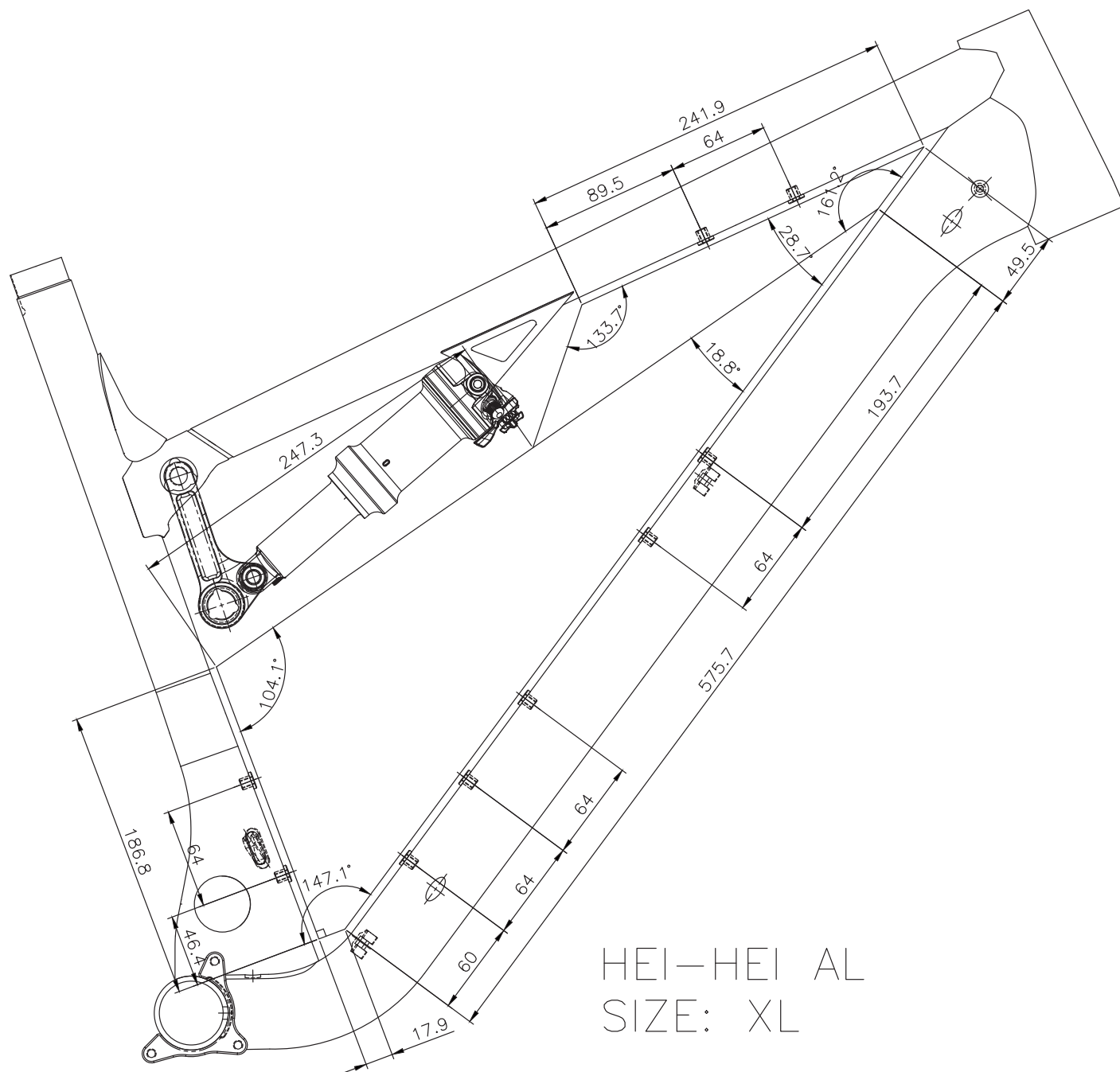
HEI-HEI AL
SIZE: S



HEI-HEI AL
SIZE: M



HEI-HEI AL
SIZE: L



HEI-HEI AL
SIZE: XL