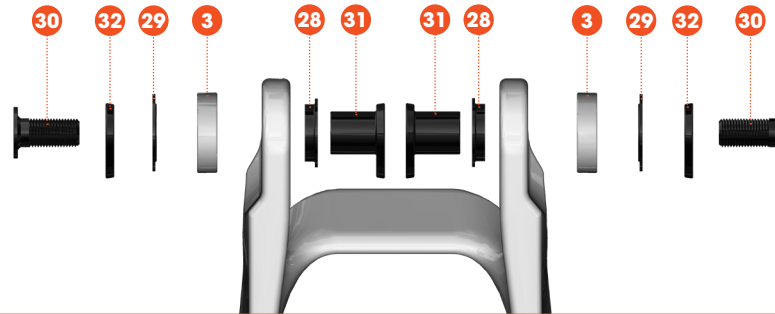
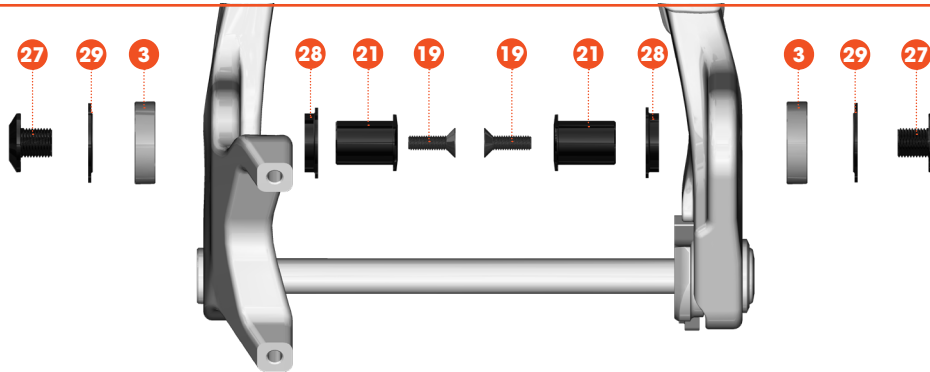


DESCRIPTION	PART NUMBER	QTY	ASSEMBLY
1 Hanger, Rear, UDH	CMPHUDH01	1	
2 Washer, 5.2ID, 12.5OD, 1.5L	CMPPHW00267	1	
3 Bearing, 6902 LLU Max	CMPWFB6902LLUMAX	8	
4 Bearing, 6900 LLU Max	CMPWFB6900LLUMAX	2	
5 Cable routing, Clamp, 1 cable	CMPWCG13H	1	
6 Frame Protection, Chainstay	CMPWFP10A	1	
7 Frame Protection, Downtube	CMPWFP11B	1	
9 Frame Protection, Downtube	CMPWFDPDTVLFC1319	1	
10 Frame Protection, Seatstay	CMPWFPSVLF1320	1	
11 Frame Protection, Chainstay	CMPWFPCSVLFC1318	1	
12 Axle, 12-180-P1.0-13	CMPAXR12B	1	9-13.5Nm
16 Screw, M5x0.8, 15L, button head	NA	4	3Nm
18 Washer, 5.3ID, 9OD, 1.0L	NA	4	
19 Screw, M5x0.8, 16L, flathead	CMPBTG2PR03S	2	
20 Screw, M5x0.8, 35L, flathead	CMPBTG2PR01	3	
21 Pivot hardware, Female, M10x1.0, 20L	CMPBTG2PR16B	2	

DESCRIPTION	PART NUMBER	QTY	ASSEMBLY
22 Pivot spacer, 15.5ID, 21OD, 38L	CMPBTG2PR19CX	1	
23 Pivot hardware, Female, M10x1.0, 70L	CMPBTG2PR18A	1	
24 Pivot Hardware, Male, M10x1.0, 20L	CMPBTG2PR18B	2	12Nm
25 Pivot hardware, Male, M10x1.0, 19L	CMPBTM03	2	12Nm
26 Pivot hardware, Female, M10x1.0, 83L	CMPBTG2PR19AX	1	
27 Pivot Hardware, Male, M10x1.0, 14.5L	CMPBTG2PR16AX	2	8Nm
28 Pivot Spacer, 15ID, 24OD, 4.5L	CMPBTG2PR10H	4	
29 Pivot Spacer, 15ID, 27OD, 1.5L	CMPBTG2PR09H	4	
30 Pivot hardware, Male, M10x1.0, 23L	CMPBTG2PR21CX	2	12Nm
31 Pivot hardware, Female, M10x1.0, 19L	CMPBTG2PR21AX	2	
32 Pivot spacer, 15ID, 21OD, 3L	CMPBTG2PR21BX	2	
33 Pivot hardware, Female, M5x0.8, 47.5L	CMPBTG2PR20X	1	6Nm
34 Pivot hardware, Male, M5x0.8, 25.5L	CMPBTM255	1	6Nm
35 Pivot spacer, 15.5ID, 21OD, 48L	CMPBTG2PR18CX	1	
36 Seatclamp, 34.9	CMPSCJD119A349	1	5-6Nm
37 Cable Routing, Grommet, 1 cable	CMPWCG12H	1	

ASSEMBLE WITH GREASE

ADHESIVE BACKED

DETAIL 1

DETAIL 2

Bolt Kit
CMPBK21

DESCRIPTION	PART NUMBER	QTY	ASSEMBLY
2 Washer, 5.2ID, 12.5OD, 1.5L	120-00267	1	
5 Cable routing, Clamp, 1 cable	CMPWCG13H	1	
16 Screw, M5x0.8, 15L, button head	NA	4	3Nm
18 Washer, 5.3ID, 9OD, 1.0L	NA	4	
19 Screw, M5x0.8, 16L, flathead	CMPBTG2PR03S	2	
20 Screw, M5x0.8, 35L, flathead	CMPBTG2PR01	3	
21 Pivot hardware, Female, M10x1.0, 20L	CMPBTG2PR16B	2	
22 Pivot spacer, 15.5ID, 21OD, 38L	CMPBTG2PR19CX	1	
23 Pivot hardware, Female, M10x1.0, 70L	CMPBTG2PR18A	1	
24 Pivot Hardware, Male, M10x1.0, 20L	CMPBTG2PR18B	2	12Nm
25 Pivot hardware, Male, M10x1.0, 19L	CMPBTM03	2	12Nm
26 Pivot hardware, Female, M10x1.0, 83L	CMPBTG2PR19AX	1	
27 Pivot Hardware, Male, M10x1.0, 14.5L	CMPBTG2PR16AX	2	8Nm
28 Pivot Spacer, 15ID, 24OD, 4.5L	CMPBTG2PR10H	4	
29 Pivot Spacer, 15ID, 27OD, 1.5L	CMPBTG2PR09H	4	
30 Pivot hardware, Male, M10x1.0, 23L	CMPBTG2PR21CX	2	12Nm
31 Pivot hardware, Female, M10x1.0, 19L	CMPBTG2PR21AX	2	
32 Pivot spacer, 15ID, 21OD, 3L	CMPBTG2PR21BX	2	
33 Pivot hardware, Female, M5x0.8, 47.5L	CMPBTG2PR20X	1	6Nm
34 Pivot hardware, Male, M5x0.8, 25.5L	CMPBTM255	1	6Nm
35 Pivot spacer, 15.5ID, 21OD, 48L	CMPBTG2PR18CX	1	
37 Cable Routing, Grommet, 1 cable	CMPWCG12H	1	

Bearing Kit
CMPBCBK27

DESCRIPTION	PART NUMBER	QTY	ASSEMBLY
3 Bearing, 6902 LLU Max	CMPWFB6902LLUMAX	8	
4 Bearing, 6900 LLU Max	CMPWFB6900LLUMAX	2	

Frame Protection Kit
CMPWFP20

DESCRIPTION	PART NUMBER	QTY	ASSEMBLY
6 Frame Protection, Chainstay	CMPWFP10A	1	
7 Frame Protection, Downtube	CMPWFP11B	1	
9 Frame Protection, Downtube	CMPWFPDVLFC1319	1	
10 Frame Protection, Seatstay	CMPWFPSSVLFC1320	1	
11 Frame Protection, Chainstay	CMPWFPCSVLFC1318	1	
37 Cable Routing, Grommet, 1 cable	CMPWCG12H	1	

Frequently Asked Questions

BOTTOM BRACKET	PF 92
SHOCK	EYE TO EYE 205mm / STROKE 57.5mm
REAR SHOCK - LOWER HARDWARE	20 x 8mm
HEADTUBE ID- UPPER	44
HEADTUBE ID- LOWER	56
HANGER	UDH/T-Type
SEAT TUBE	POST 31.6mm CLAMP 34.9mm
STEERER	TAPERED 1.5" / 28.6-38.1
MAX CHAINRING SIZE	36T
CHAINLINE	55mm
MAX SEATPOST INSERTION	S-M 270mm / L 300mm / XL 320mm
BRAKE ROTOR NATIVE DIAMETER	180mm
MAX BRAKE ROTOR DIAMETER	203mm
ISCG MOUNT	ISCG 05
REAR AXLE	12x148 / 12-180-p1.0-13